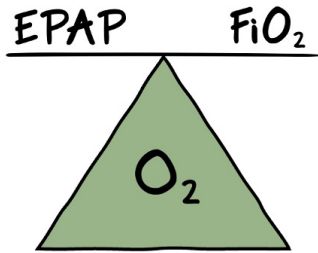
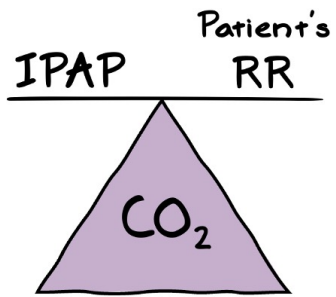


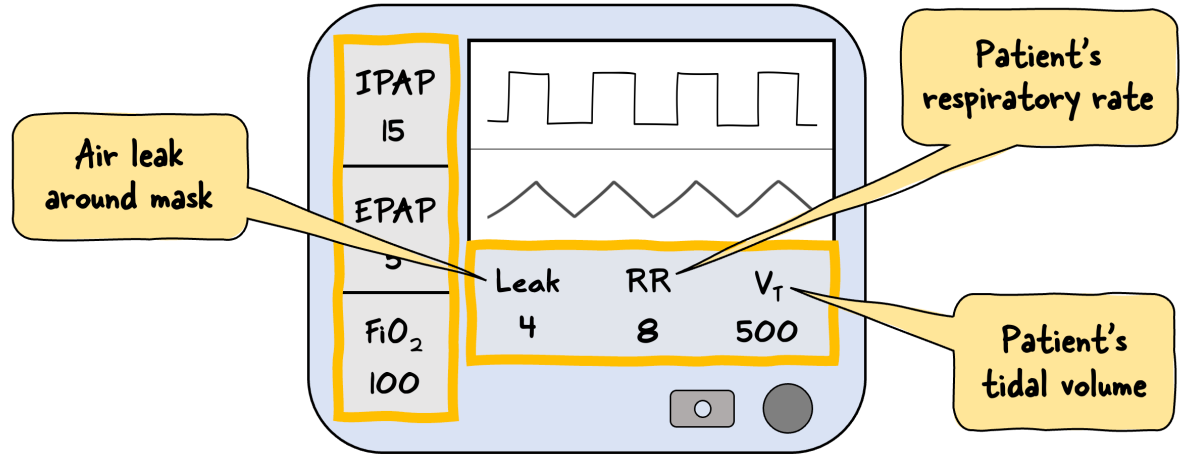
POCKET INTENSIVIST: INITIAL BIPAP SETTINGS

If it's a ventilation problem, use the IPAP to support the patient's tidal volumes

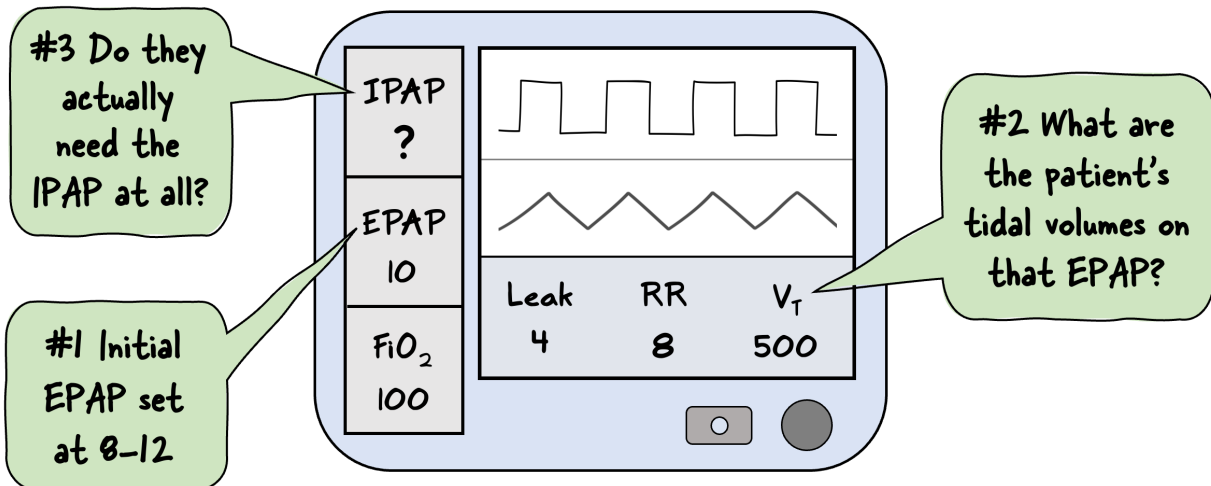
If it's an oxygenation problem, use the EPAP to improve alveolar recruitment



BIPAP INTERFACE



INITIAL BIPAP SETTINGS FOR HYPOXEMIA



INITIAL BIPAP SETTINGS FOR HYPERCARBIA

